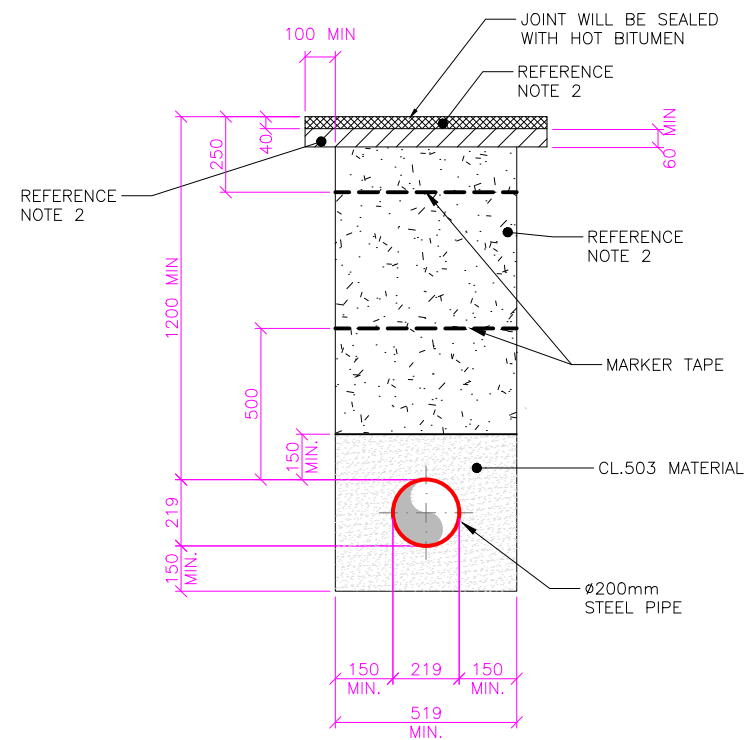
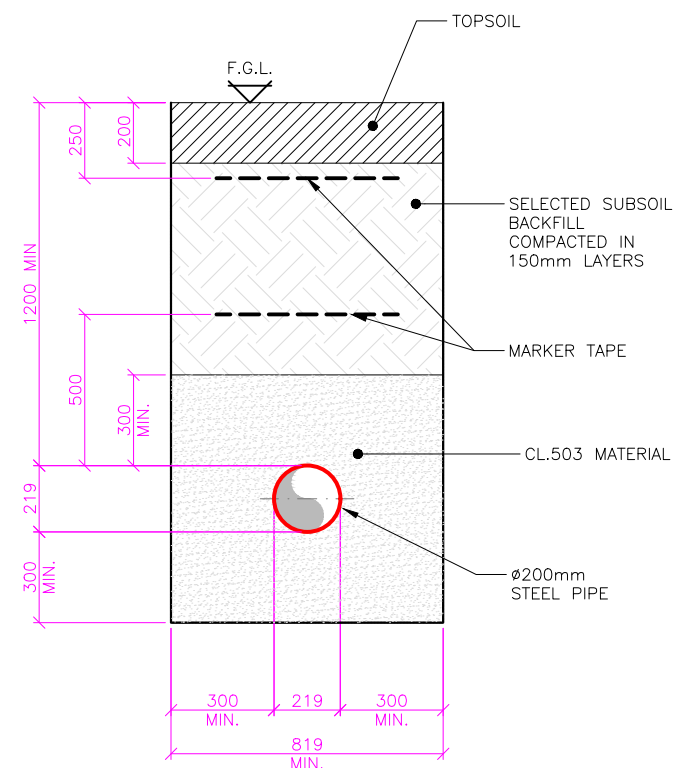


TYPICAL REINSTATEMENT DETAIL FOR  
Ø200 PIPELINE (GRASS VERGE EXCAVATION)  
 (SCALE: 1:25)



TYPICAL ROAD/FOOTPATH REINSTATEMENT  
 FOR Ø200 PIPELINE  
 (SCALE: 1:25)





TYPICAL REINSTATEMENT DETAIL FOR  
Ø200 PIPELINE (ROCK EXCAVATION)  
 (SCALE: 1:25)

**NOTES:**

1. ALL DIMENSIONS ARE IN MILLIMETERS, USE FIGURED DIMENSIONS ONLY. DO NOT SCALE FROM DRAWING.
2. EXCAVATION, BACKFILL & REINSTATEMENT TO BE IN ACCORDANCE WITH IS 328:2021, GNI/AD/SP/007 AND GUIDELINES FOR MANAGING OPENINGS IN PUBLIC ROADS 2017 (THE PURPLE BOOK).
3. THE CLAUSES REFERRED TO ARE CONTAINED IN THE TII PUBLICATIONS – SPECIFICATIONS FOR ROAD WORKS SERIES.
4. ROUNDABOUTS TO BE REINSTATED AS PER EXISTING.
5. ALL REINSTATEMENT TO BE AGREED WITH LANDOWNER'S REPRESENTATIVE PRIOR TO CARRYING OUT WORKS.
6. PIPELINE SURROUND MATERIAL (CL.503) TO BE AGREED WITH GNI SITE ENGINEER BASED ON EXAMINATION OF SAMPLE.

**SECTION 39A APPLICATION**

									<b>APPROVALS</b>			PROJECT Gas to Greener Ideas			
									A	DRAWING OFFICE	DRAWN BY D.MAILEY		TITLE TYPICAL REINSTATEMENT DETAILS GNI138 Monksland Pipeline		
									B	DESIGN ENGINEERING	CHECKED T.MALONE				
									C	STRATEGY/PLANNING	APPROVAL C.SMITH				
									D	DESIGN MANAGEMENT	DATE 23/08/2024				
A	SECTION 39A APPLICATION	DJM	TM	CS					E	OPERATIONS	DRAWING NUMBER GNI138/01/RD/001		SCALE AS SHOWN @A3	SHEET 01 OF 01	
ISSUE	REVISION	REV. BY	A	B	C	D	E	F	G	F	CONSTRUCTION				
CONSULTANT									P.O Box 51, Gasworks Road, Cork, Rep of Ireland T +353 21 4534000						
 Bridge Street Centre Portlaoise Co. Laois Ireland T:(00353)(0)57 866 5400 www.fingleton.ie															